

Fig. 7001



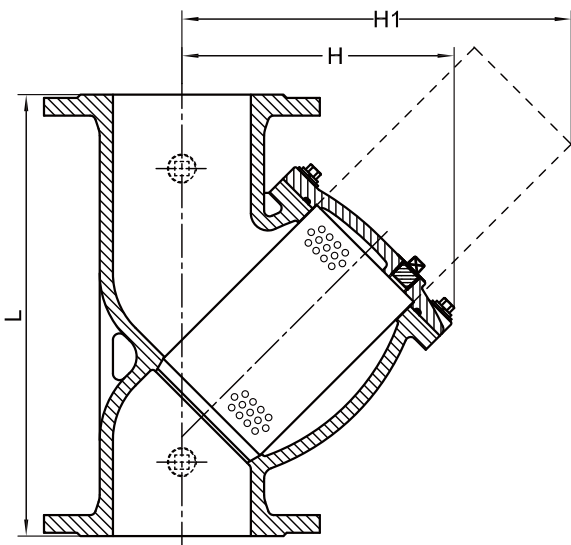
**Valve Standard :**  
Comply with BS EN558-1 Series 1

**Pressure Temperature Ratings**

Working pressure(Bar)	10/16/25
Testing Pressure(Bar)	Shell:15/24/37.5 Seal:11/17.6/27.5
Working Temperature	-10°C to +85°C
Suitable Media	Drinking Water

**Material Specification**

Part	Material	Material Code
Body	Ductile Iron	EN-JS1050
Cover	Ductile Iron	EN-JS1050
Screen	Stainless Steel	BS 970 304S15
Sealing	EPDM	
Drain Plug	Stainless Steel	BS 970 304S15



**Dimensions**

DN	mm	50	65	80	100	125	150	200	250	300	350	400	450	500	600
	inch	2"	2-1/2"	3"	4"	5"	6"	8"	10"	12"	14"	16"	18"	20"	24"
L		230	290	310	350	400	480	600	730	850	980	1100	1200	1250	1450
H		124	137	152	205	244	269	341	455	476	725	820	840	915	1100
H1		183	205	238	318	358	380	508	700	730	1130	1285	1260	1350	1675