

Fig. 2302



Valve Standard :

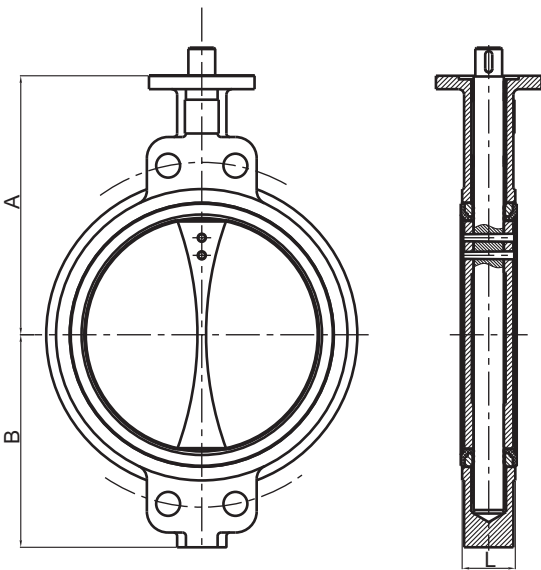
Comply with ISO5752/BS5155/BS EN593/
BS EN 1092-2/MSS SP-67/API 609

Pressure Temperature Ratings

Working pressure(Bar)	10/16/25
Testing Pressure(Bar)	Shell:15/24/37.5 Seal:11/17.6/27.5
Working Temperature(°C)	-10 to +85°C EPDM
Suitable Media	Drinking Water

Material Specification

Part	Material	Material Code	EN
Body	Ductile Iron	A536 Gr. 65-45-12	EN-JS1050
Disc	Ductile Iron	A536 Gr. 65-45-12	EN-JS1050
	Stainless Steel	A351 CF-8M	BS970 316S11
Shaft	Stainless Steel	A276 S41000	BS970 316S11
Seat	EPDM		
O-Ring	EPDM		
Bushing	Bronze	B62 C83600	
Pin	Stainless Steel	BS970 316S11	



Dimensions

DN	mm	50	65	80	100	125	150	200	250	300	350	400	450	500	600
	inch	2"	2-1/2"	3"	4"	5"	6"	8"	10"	12"	14"	16"	18"	20"	24"
A		161	175	181	200	213	226	260	292	337	368	400	422	480	562
B		71.4	86	94	112.4	130	149.8	190	225	255	302	354	385	438	464
L		42	44.5	44.5	51	54.5	54.5	59.6	67	75.5	75.5	102	114	130	151