

PN25

OS&Y Resilient Seat Gate Valve

Fig. 3233



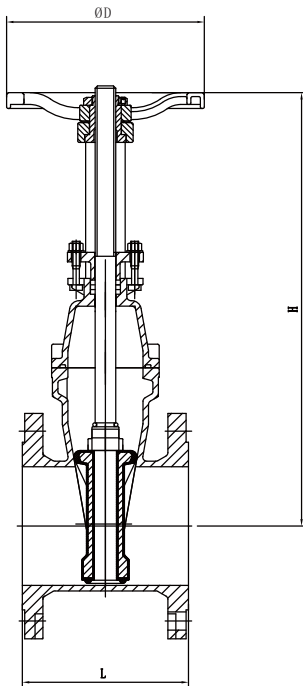
Valve Standard :
Comply with BS5163

Pressure Temperature Ratings

Working pressure(Bar)	10/16/25
Testing Pressure(Bar)	Shell:15/24/37.5 Seal:11/17.6/27.5
Working Temperature(°C)	-10 to +85°C EPDM
Suitable Media	Drinking Water

Material Specification

Part	Material	Material Code
Body	Ductile Iron	EN-JS 1050
Bonnet	Ductile Iron	EN-JS 1050
Disc	EPDM Vulcanized Ductile Iron	EN-JS 1050+EPDM
Gland	Ductile Iron	EN-JS 1050
Stem	Stainless Steel	BS970 420S37
Stem Nut	Bronze	C83600
Sealing	EPDM	
Wrench Nut	Bronze	C83600
Hand Wheel	Ductile Iron	EN-JS 1050



Dimensions

DN	mm	50	65	80	100	125	150	200	250	300	350	400	450	500	600
	inch	2"	2-1/2"	3"	4"	5"	6"	8"	10"	12"	14"	16"	18"	20"	24"
L		178	190	203	229	254	267	292	330	356	381	406	432	457	508
H		254	296	349	396	477	548	694	840	960	862	938	1057	1142	1295
D		160	160	200	200	250	250	280	370	370	508	558	610	610	762