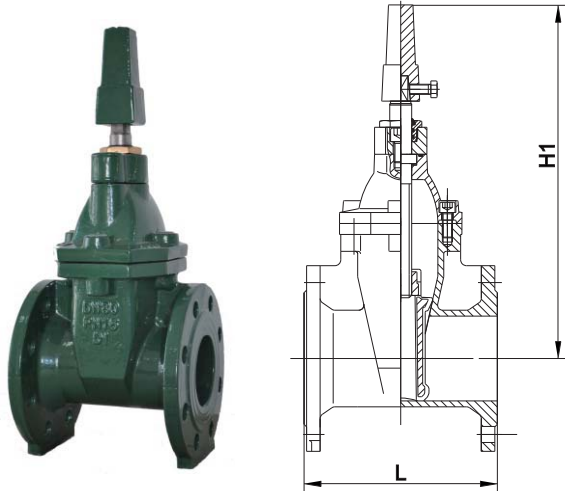
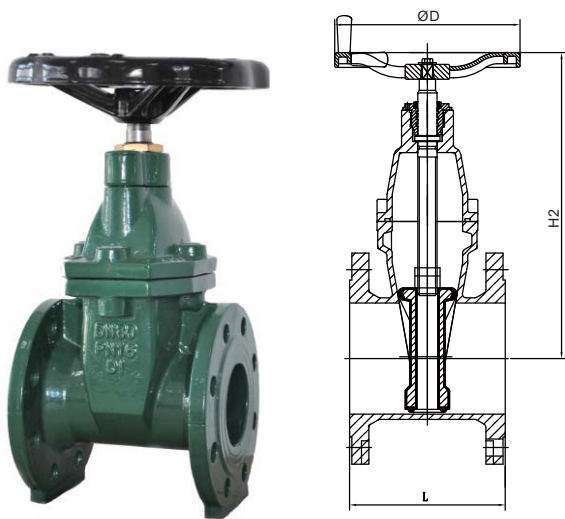


Fig. 3243



A



B

**Valve Standard :**  
Comply with BS 5163

**Pressure Temperature Ratings**

Working pressure(Bar)	10/16/25
Testing Pressure(Bar)	Shell:15/24/37.5 Seal:11/17.6/27.5
Working Temperature(°C)	-10 to +85°C
Suitable Media	Drinking Water

**Material Specification**

Part	Material	Material Code
Body	Ductile Iron	EN-JS 1050
Bonnet	Ductile Iron	EN-JS 1050
Disc	EPDM Vulcanized Ductile Iron	EN-JS 1050+EPDM
Stem	Stainless Steel	BS970 420S37
Stem Nut	Bronze	C83600
Sealing	EPDM	
Hand Wheel	Ductile Iron	EN-JS 1050
Square Head Nut	Ductile Iron	EN-JS 1050

**Dimensions**

DN	mm	50	65	80	100	125	150	200	250	300	350	400	450	500	600
	inch	2"	2-1/2"	3"	4"	5"	6"	8"	10"	12"	14"	16"	18"	20"	24"
L		178	190	203	229	254	267	292	330	356	381	406	432	457	508
H1		233	260	310	341	394	443	533	645	722	862	938	1057	1142	1295
H2		254	296	349	396	477	548	694	840	960	842	931	1058	1146	1298
D		160	160	200	200	250	250	280	370	370	508	558	610	610	762