

Fig. 7001



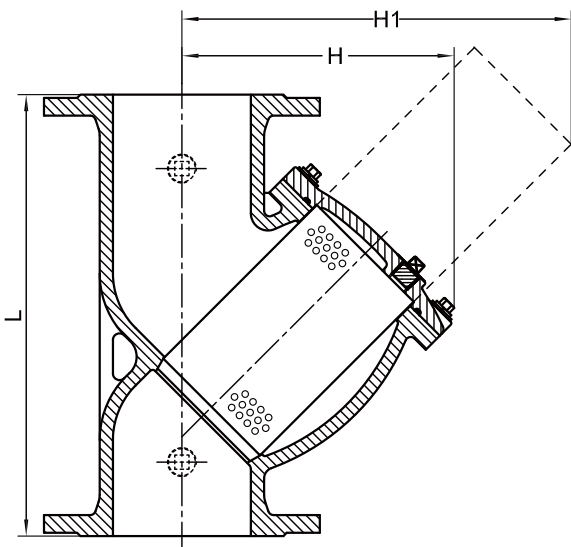
**Valve Standard :**  
Comply with BS EN558-1 Series 1

**Pressure Temperature Ratings**

Working pressure(Bar)	10/16/25
Testing Pressure(Bar)	Shell:15/24/37.5
	Seal:11/17.6/27.5
Working Temperature	-10°C to +85°C
Suitable Media	Drinking Water

**Material Specification**

Part	Material	ASTM
Body	Ductile Iron	A536 Gr.65-45-12
Cover	Ductile Iron	A536 Gr.65-45-12
Screen	Stainless Steel	A276 S304 00
Packing	EPDM	
Drain Plug	Stainless Steel	A 276 S304 00
Bolt/Washer	Carbon Steel Galvanized	



**Dimensions**

Size	mm	DN50	DN65	DN80	DN100	DN125	DN150	DN200	DN250	DN300	DN350	DN400	DN450	DN500	DN600
	inch	2	2-1/2	3	4	5	6	8	10	12	14	16	18	20	24
L	mm	230	290	310	350	400	480	600	730	850	980	1100	1200	1250	1450
	inch	9.06	11.42	12.20	13.78	15.75	18.90	23.62	28.74	33.46	38.58	43.31	47.24	49.21	57.09
H	mm	124	137	152	205	244	269	341	455	476	725	820	840	915	1100
	inch	4.88	5.39	5.98	8.07	9.61	10.59	13.43	17.91	18.74	28.54	32.28	33.07	36.02	43.31
H1	mm	183	205	238	318	358	380	508	700	730	1130	1285	1260	1350	1675
	inch	7.20	8.07	9.37	12.52	14.09	14.96	20.00	27.56	28.74	44.49	50.59	49.61	53.15	65.94