



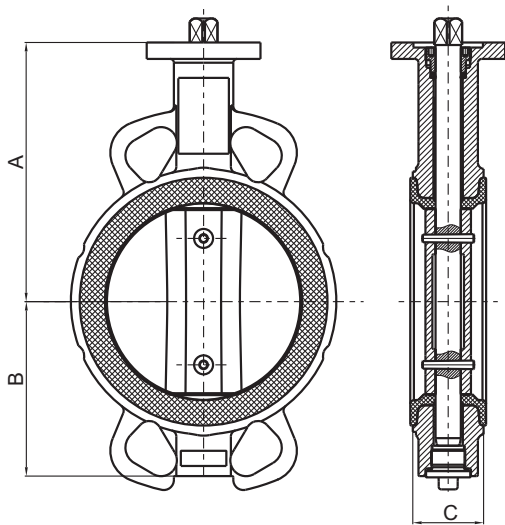
Fig. 2302V



Valve Standard :
Comply with API609

Pressure Temperature Ratings

Working pressure(Bar)	10/16/25
Testing Pressure(Bar)	Shell:15/24/37.5 Seal:11/17.6/27.5
Working Temperature(°C)	-10 to +85°C EPDM
Suitable Media	Drinking Water



Material Specification

Part	Material	ASTM
Body	Ductile Iron	A536 Gr.65-45-12
Disc	Ductile Iron/ Stainless Steel	A536 Gr.65-45-12 A351 CF-8M
Seat	EPDM	
O-rings	EPDM	
Shaft	Stainless Steel	A276 S410 00
Pin	Stainless Steel	A276 S316 00
Bushing	Bronze	B62 C83600
Cover	Ductile Iron	A536 Gr.65-45-12
Washer/Bolt	Stainless Steel	A276 S304 00

Dimensions

Size	mm	DN50	DN65	DN80	DN100	DN125	DN150	DN200	DN250	DN300	DN350	DN400	DN450	DN500	DN600
	inch	2	2-1/2	3	4	5	6	8	10	12	14	16	18	20	24
A	mm	143	156	162	177	190	205	236	267	308	368	400	422	480	562
	inch	5.63	6.14	6.38	6.97	7.48	8.07	9.29	10.51	12.13	14.49	15.75	16.61	18.90	22.13
B	mm	72	78	95	108	123	138	168	207	243	272	342	372	402	467
	inch	2.83	3.07	3.74	4.25	4.84	5.43	6.61	8.15	9.57	10.71	13.46	14.65	15.83	18.39
C	mm	43	46	46	52	56	56	60	68	78	78	102	114	127	154
	inch	1.69	1.81	1.81	2.05	2.20	2.20	2.36	2.68	3.07	3.07	4.02	4.49	5.00	6.06