

Fig. 2630



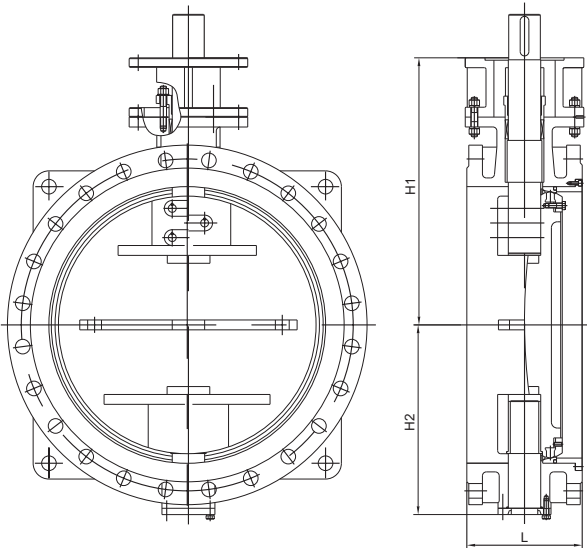
Valve Standard :
Comply with AWWAC504

Pressure Temperature Ratings

Working pressure	16bar
Testing Pressure	Shell:24bar Seal:17.6bar
Working Temperature	-20°C to 110°C EPDM Seat 14°F to 176°F NBR Seat
Suitable Media	Water,Oil&Gas

Material Specification

Part	Material	ASTM
Body	Ductile Iron	A536 Gr.65-45-12
Disc	Ductile Iron	A536 Gr.65-45-12
Body Seat Ring	Ductile Iron SS304	A536 Gr.65-45-12 A351 CF8
Disc Seat Ring	EPDM / NBR PTFE	
Shaft	SS410 SS431	A276 S410 A276 S431
O-Ring	EPDM / NBR	
Bushing	Bronze	



Dimensions

DN	mm	200	250	300	350	400	450	500	600	700	750	800	900	1000	1200
	inch	8	10	12	14	16	18	20	24	28	30	32	36	40	48
L		152	203	203	203	203	203	203	203	305	305	305	305	305	381
H1		284	349	386	412	447	491	541	602	655	698	740	805	916	1043
H2		185	217.5	257	284	316	336	373	428	485	515	552	607	672	782