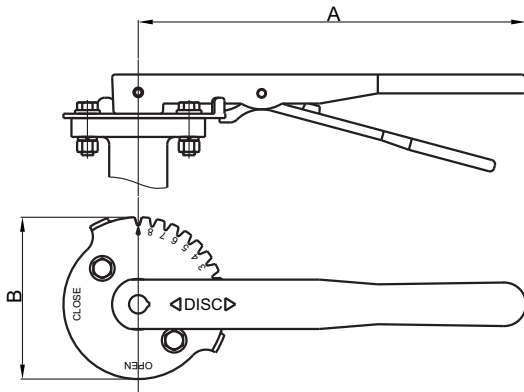


Lever Operator

Malleable Iron Lever

Type 1



Material Specification

Part	Material
Lever	Malleable Iron
	Carbon Steel
Top Plate	Stainless Steel 304
	Stainless Steel 316



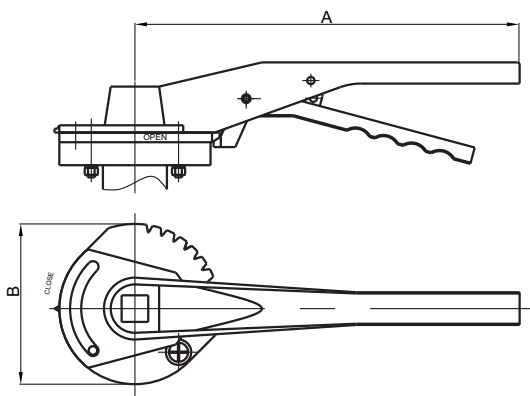
Dimensions

DN	mm	inch	40	50-150	200-300
			1-1/2	2-6	8-12
	A		165	266	357
	B		110	110	163

Lever Operator

Malleable Iron Lever

Type 2



Material Specification

Part	Material
Lever	Malleable Iron
Top Plate	Aluminum



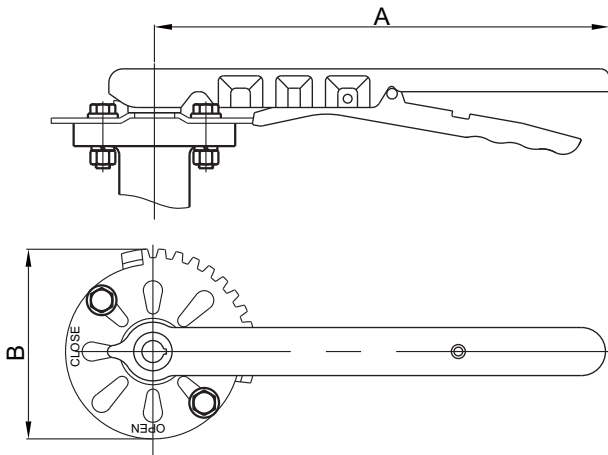
Dimensions

DN	mm	inch	50-80	100	125-150	200-300
			2-3	4	6	8-12
	A		180	220	276	318
	B		70	97	97	133

Lever Operator

Steel Lever

Type 3



Material Specification

Part	Material
Lever	Carbon Steel Stainless Steel 304 Stainless Steel 316
Top Plate	Carbon Steel Stainless Steel 304 Stainless Steel 316



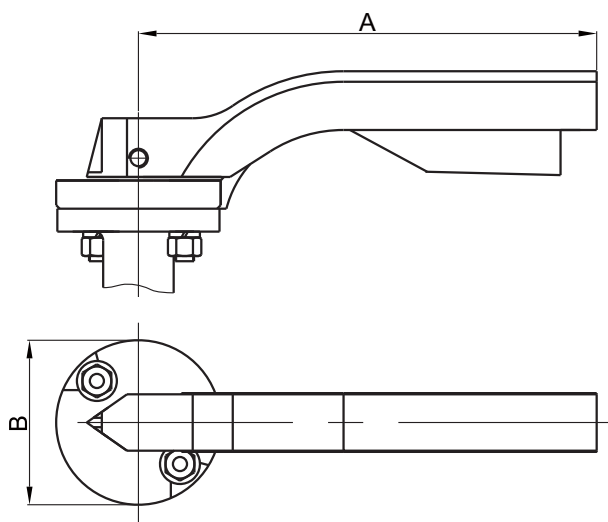
Dimensions

DN	mm	50-150	200-300
	inch	2-6	8-12
A		259	373
B		109	163

Lever Operator

Aluminum Lever

Type 4



Material Specification

Part	Material
Lever	Aluminum
Top Plate	Aluminum



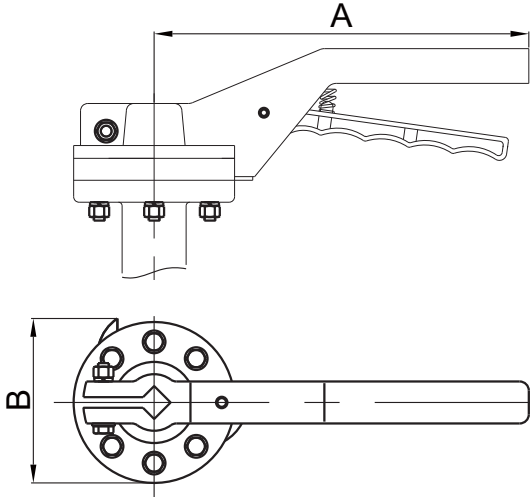
Dimensions

DN	mm	50-80	100-150
	inch	2-3	4-6
A		195	276
B		70	95

Lever Operator

Aluminum Lever

Type 5



Material Specification

Part	Material
Lever	Aluminum
Top Plate	Aluminum



Dimensions

DN	mm	40	50-80	100-150
	inch	1-1/2	2-3	4-6
A		205	205	250
B		88	88	88