

PN16/PN25

Variable Orifice Double Regulating Valve

Fig. 1210-DFM

Flanged PN16 or PN25 for Single Unit Systems Conforms to BS7350



**Specification**

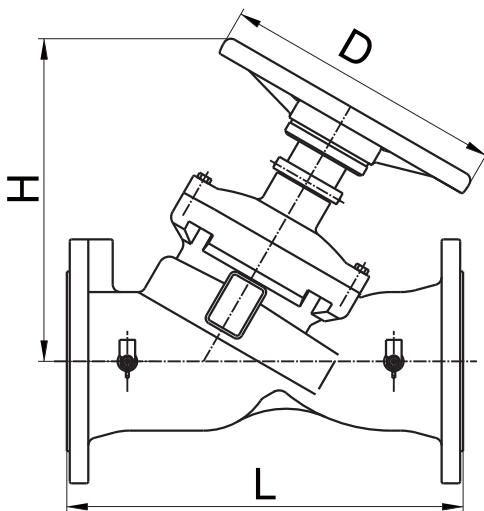
These are Y-pattern globe valves fitted with two pressure test valves to provide flow measurement, regulation and isolation. Valves conform to requirements of BS7350.

**Application**

Primarily used in injection or other circuits requiring a double regulating valve for systems balancing. Accuracy of flow measurement is  $\pm 5\%$  at all open positions of the valve. Some reduction in accordance with BS 7350.

**Pressure/Temperature Ratings**

	PN16	PN25
Temperature °C	-10 to 120	
Working Pressure(Bar)	16	25
Test Pressure(Bar)	Shell:24	Shell:37.5
	Seat:17.6	Seat:27.5



**Materials**

Part	Material	Specification
Body	Ductile	EN-JS 1040
Bonnet	Ductile	EN-JS 1040
Stem (65-300mm)	Stainless Steel 410	BS970 410S21
Stem (350-600mm)	Stainless Steel 431	BS970 431S21
Disc	EPDM Coated DI	EN-JS 1040
Gland (65-150mm)	Brass	EN 12165 CW617N
Gland (200-600mm)	Ductile	EN-JS 1040
Stem Nut	Brass	EN 12165 CW617N
Hand Wheel	Ductile	EN-JS 1040
Test Valve	Brass	EN 12165 CW602N
Packing	Graphite	Non-Asbestos

**Dimensions, Coefficients**

Size	Inch mm	2½ DN65	3 DN80	4 DN100	5 DN125	6 DN150	8 DN200	10 DN250	12 DN300	14 DN350	16 DN400	18 DN450	20 DN500	24 DN600
L		290	310	350	400	480	600	730	850	980	1100	1200	1250	1450
H		265	270	310	340	340	537	570	690	685	965	1020	1065	1180
D		200	200	240	290	290	350	420	420	420	640	640	640	640
Flow Kv		83.8	119.5	178.7	272.7	380.0	608.0	1292.0	1791.5	2261.0	3769.0	4221.0	4728.0	5674.0
Head K		3.78	5.24	9.53	6.98	5.35	6.26	5.57	6.43	11.40	12.40	13.10	13.50	13.90