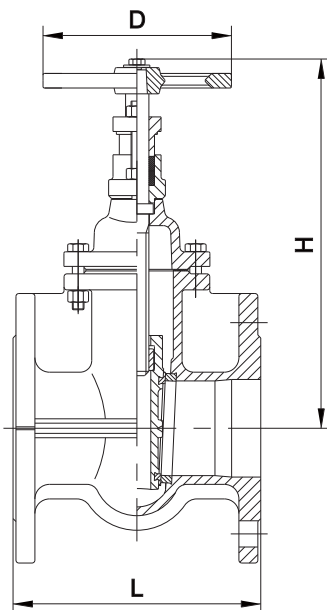


PN10/PN16

NRS Metal Seated Gate Valve

Fig. 3125



Valve Standard :

Comply with DIN 3352 (F4)

Pressure Temperature Ratings

Working pressure	10bar/16bar
Testing Pressure	Shell:15bar/24bar
	Seal:11bar/17.6bar
Working Temperature	-10°C to 120°C

Material Specification

Part	Material	EN Spec.
Body	Cast Iron	EN-JL1040
	Ductile Iron	EN-JS1050
Bonnet	Cast Iron	EN-JL1040
	Ductile Iron	EN-JS1050
Disc	Cast Iron	EN-JL1040
	Ductile Iron	EN-JS1050
Seat Ring	Brass	EN 12165 W603N
Stem	Brass	EN 12165 W603N
	Stainless Steel	BS970 420S37
Packing	Graphite	Non-Asbestos
Hand Wheel	Cast Iron	EN-JL1040

Note :

DI Body For PN16

Dimensions

DN	mm	40	50	65	80	100	125	150	200	250	300
	inch	1-1/2	2	2-1/2	3	4	5	6	8	10	12
L		140	150	170	180	190	200	210	230	250	270
H		245	255	277	303	340	387	454	538	629	730
D		130	130	130	150	185	185	195	225	245	285