

Fig. 3115



**Valve Standard :**

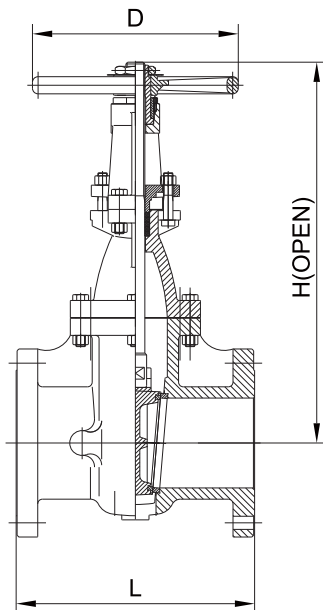
Comply with EN 1171 (BS 5150) & MSS SP-70

**Pressure Temperature Ratings**

Working pressure	16bar / 250LB
Testing Pressure	Shell:24bar / 60.3bar
	Seal:17.6bar / 34.5bar
Working Temperature	-10°C to 120°C

**Material Specification**

Part	Material	ASTM
Body	Cast Iron	A126 Class B
Bonnet	Cast Iron	A126 Class B
Disc	Cast Iron	A126 Class B
Seat Ring	Bronze	B62 C83600
Stem	Brass	B16 C36000
	Stainless Steel	AISI 420
Packing	Graphite	Non-Asbestos
Hand	Cast Iron	A126 Class B



**Dimensions**

DN	mm	50	65	80	100	125	150	200	250	300
	inch	2	2-1/2	3	4	5	6	8	10	12
L		216	241	283	305	381	403	419	457	502
H		384	436	492	610	715	812	1024	1211	1386
D		175	200	254	300	300	348	400	457	457