

CLASS 150

Variable Orifice Double Regulating Valve

Fig. 1210-BT

NPT Threaded ends for Single Unit Systems Conforms to BS7350

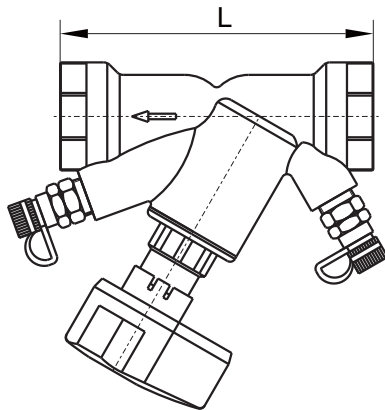


Specification

Y-pattern globe valves having characterised throttling disk tending towards equal percentage performance. Integral square edged entrance orifice plate and insertion test points fitted. Double regulating feature allows valve opening to be set with an Allen key. Operation of the valve is by means of the Microset hand wheel.

End Connection

Also available threaded to ANSI B1.20.1
Adaptor kits for use with copper tube also available



Application

This single unit-commissioning valve is designed for installation in circuits where combined functions of regulation and flow measurement are required. Accuracy of flow measurement is $\pm 5\%$ across all hand wheel settings.

Pressure Temperature Ratings

Temperature °c	-10 to 100	110	120
Pressure (Bar)	25	23.4	21.8

Materials

Part	Material	ASTM Specification	Part	Material	ASTM Specification
Body	Bronze	B62 C83600	Disc(15-50)	Brass+PTFE	B453 C35330
Bonnet	Brass	B453 C35330	Hand Wheel	Plastic	Commercial
Stem	Brass	B453 C35330			

Dimensions, Coefficients

Nom. Size		Dimensions(mm)	Flow Kv
		L	
½	DN15	88	2.88
¾	DN20	100	5.64
1	DN25	113	8.35
1¼	DN32	117	12.45
1½	DN40	131	18.79
2	DN50	150	27.29