

CLASS 125/ CLASS 250/
PN 16/PN25/JIS 10K/JIS 16K

Lug Butterfly Valves

Fig. 2502



Valve Standard :

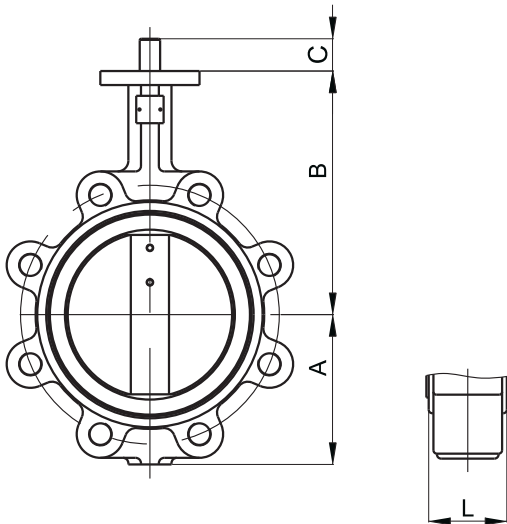
Comply with ISO 5752/BS 5155/
BS EN 593/MSS SP-67/API 609

Pressure Temperature Ratings

Working pressure	16bar/25bar
Testing Pressure	Shell:24bar/37.5bar
	Seal:17.6bar/27.5bar
Working Temperature	-20°C to 110°C EPDM Seat
	-10°C to 80°C NBR Seat
Suitable Media	Water,Oil&Gas

Material Specification

Part	Material	ASTM
Body	Cast Iron	A126 Class B
	Ductile Iron	A536 Gr. 65-45-12
Disc	Ductile Iron	A536 Gr. 65-45-12
	Bronze	B148 C95400
	Stainless Steel	A351 CF-8
	Stainless steel	A351 CF-8M
Shaft	Stainless Steel	A276 S 410 00
	Stainless Steel	A276 S 431 00
Seat Ring	EPDM / NBR / Viton / PTFE	
O-Ring	EPDM / NBR	
Bushing	PTFE	
	Bronze	B62 C83600



Dimensions

DN	mm	40	50	65	80	100	125	150	200	250	300
	inch	1-1/2	2	2-1/2	3	4	5	6	8	10	12
	A	68	80	89	95	114	127	139	175	203	242
	B	110	161	175	181	200	213	226	260	292	337
	C	24	30	30	30	30	30	30	34	34	34
	L	33	42	45	45	51	55	55	60	67	76

DN	mm	350	400	450	500	550	600	650	700	800	1000
	inch	14	16	18	20	22	24	26	28	32	40
	A	267	316	334	370	433	468	484	530	675	810
	B	368	400	422	480	533	562	540	626	602	724
	C	40	52	52	64	70	70	70	95	95	130
	L	76	102	114	127	151	151	172	165	190	216

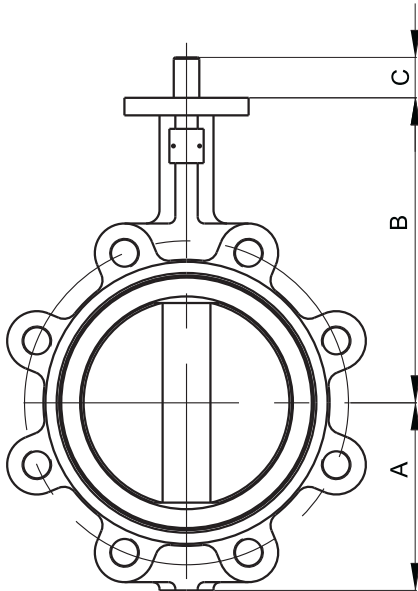
NOTE :

ONLY DN50-DN300 DOUBLE SHAFT DESIGNED VALVES
ARE WRAS APPROVED.

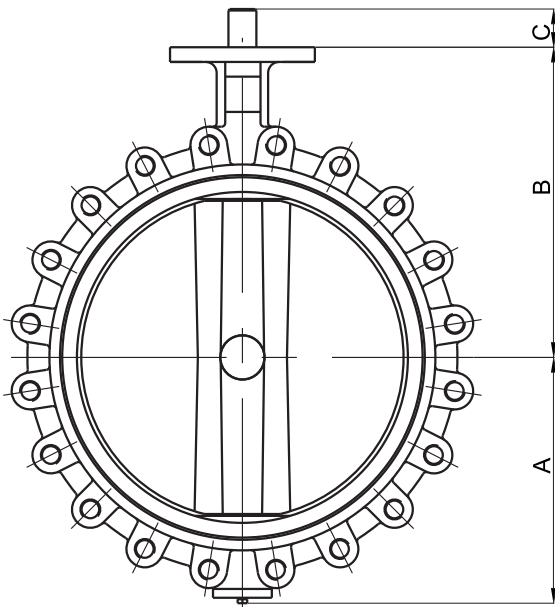
CLASS 125/ CLASS 250/
PN 16/PN25/JIS 10K/JIS 16K

Lug Butterfly Valves

Appearance



Fit DN40-DN350 Lug Butterfly valves



Fit DN400-DN1000 Lug Butterfly Valves