

CLASS 125 / PN16 / JIS 10K

Flanged Double Orifice Air Valve

Fig. 9201

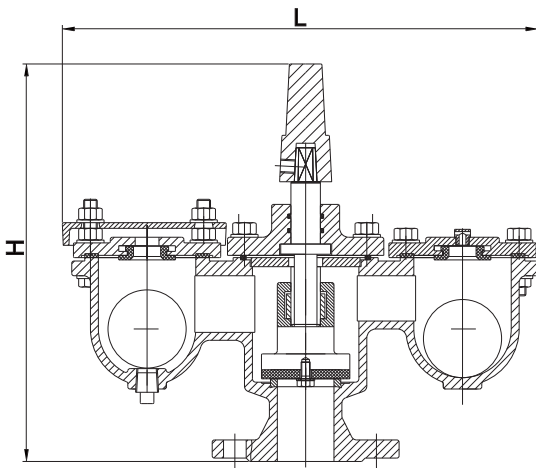


**Pressure Temperature Ratings**

Working pressure	16bar
Testing Pressure	Shell:24bar Seal:17.6bar
Working Temperature	-10°C to 100°C

**Material Specification**

Part	Material	EN Spec.
Body	Ductile Iron	EN-JS1050
Orifice Cover	Ductile Iron	EN-JS1050
Air Release Nipple	Brass	EN 12165 CW603N
Screw Plug	Brass	EN 12165 CW603N
Float Ball	ABS (ISO2580)	Commercial
Ball Seal Orifice	EPDM	Commercial



**Dimensions**

DN	mm	50	80	100	150	200
	inch	2	3	4	6	8
L		418	454	492	595	698
H		351	375	419	440	475