

PN16

Flange End Metal Seated Swing Check Valve

Fig. 5111

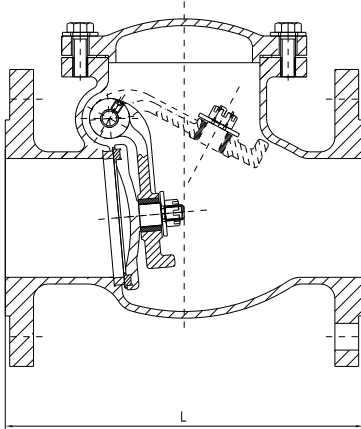


Valve Standard:

Comply with BS EN12334

Flange Standard:

Comply with BS EN1092-2



Pressure Temperature Ratings

Working pressure	16bar
Testing Pressure	Shell:24bar
	Seal:17.6bar
Working Temperature	-10°C to 120°C
Suitable Media	Water,Oil&Gas

Material Specification

Part	Material	Specification
Body	Ductile Iron	QT450-10
Disc	Ductile Iron	QT450-10
Seat Ring	Bronze	B62 C83600
Disc Ring	Bronze	B62 C83600

Dimensions

DN	mm	50	65	80	100	125	150	200	250	300
	inch	2	2-1/2	3	4	5	6	8	10	12
L		203	216	241	292	330	356	495	622	698.5