

PN10/150PSI

Double Flange Split Body Concentric BFV

Fig. 2110



Valve Standard :

Comply with ISO 5752/BS 5155 /
BS EN 593

General Applications :

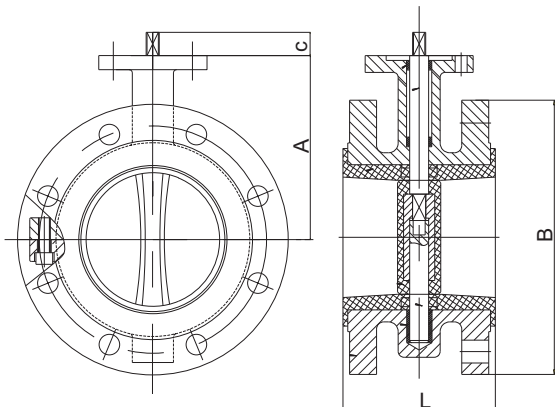
- Chemically corrosive media
- Purification plants
- Pharmaceutical Industry
- Adhesives, Paper Industry, Fuel Transport
- Paint manufacture and processing
- Food Industry

Pressure Temperature Ratings

Working pressure	10bar / 150psi
Testing Pressure	Shell:15bar / 225psi
	Seat:11bar / 165psi
Working Temperature	-20 °C to 170°C(Silicone Backed) (depending on operation pressure)

Material Specification

Part	Material	ASTM
Body	Ductile Iron	A536 65-45-12
	Carbon Steel	A216 WCB
	Stainless Steel	A351 CF8M / CF8
Disc	Carbon Steel+PTFE	A216 WCB + PTFE
	Stainless Steel+PTFE	A351 CF8M + PTFE
	Stainless Steel	A351 CF8M / CF8
Shaft	Stainless Steel 410	A276 S 410 00
	Stainless Steel 316	A276 S 316 00
Seat	Polytetrafluorethylen	PTFE
"O" Ring	Fluorcarbon Caoutchouc	VITON



Dimensions

Size	mm	50	65	80	100	125	150	200
	inch	2	2-1/2	3	4	5	6	8
A		135	135	135	159	176	192	228
B		152	178	190	228	254	279	343
C		32	32	32	32	32	32	45
L		108	112	114	127	140	140	152

Size	mm	250	300	350	400	450	500	600
	inch	10	12	14	16	18	20	24
A		270	304	337	367	400	460	520
B		406	483	533	596	635	698	813
C		45	45	45	51	51	64	70
L		165	178	190	216	222	229	267