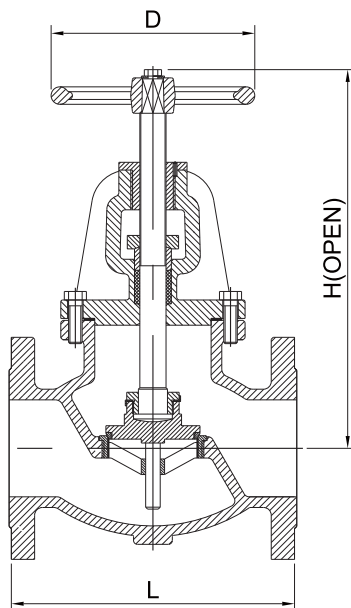


Fig. 6123



Valve Standard :

Comply with BS EN 13789 (BS 5152) /MSS SP-85

Pressure Temperature Ratings

Working pressure	16bar / 125LB
Testing Pressure	Shell:24bar / 24.1bar Seal:17.6bar / 13.8bar
Working Temperature	-29°C to 65°C 13.8bar 66°C to 232°C 8.6bar
Suitable Media	Water,Oil&Gas

Material Specification

Part	Material	ASTM Spec.
Body	Cast Iron	A126 Class B
Bonnet	Cast Iron	A126 Class B
Disc	Bronze	B62 C83600
Seat Ring	Bronze	B62 C83600
Stem	Brass Stainless Steel	B16 C36000 AISI 420
Packing	Graphite	Non-Asbestos
Hand Wheel	Cast Iron	A126 Class B

Dimensions

DN	mm	50	65	80	100	125	150	200	250	300
	inch	2	2-1/2	3	4	5	6	8	10	12
L		203	216	241	292	330	356	495	622	699
H (open)		295	336	345	389	425	511	580	720	859
D		178	178	200	254	300	300	348	400	457