

CLASS 150

Bronze Y - Strainer (Threaded)

Fig. 7654

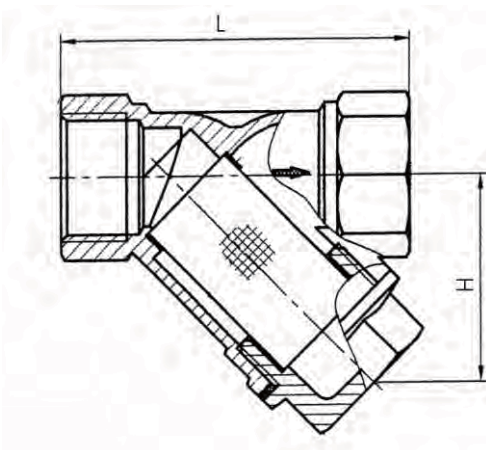


Specification

Y-Pattern Body • Screwed Cap With Plug
 Stainless Steel 304 Screen • Asbestos Free
 Threaded to BS 21 (ISO7) / ASME B1.20.1
 Size Range: 15mm(1/2")~50mm(2")

Pressure Ratings

Working Pressure	300 psi (20.7 bar) WOG Non-Shock 150 psi (10.3 bar) Saturated Steam
Testing Pressure	450 psi (31 bar) Hydrostatic 80 psi (5.5 bar) Air
Suitable Media	Water, Oil, Gas



Material List

Part Name	Material	ASTM	BS EN
Body	Bronze (Gunmetal)	B62 C83600	1982 CC491K
Cap	Bronze (Gunmetal)	B62 C83600	1982 CC491K
Plug	Brass	B124 C37700	12165 CW617N
Screen	Stainless Steel 304	A240 304	1449 304S31
Gasket	Non-Asbestos Steet		

Standard Screens

Size	Hole Diameter		Free Flow Area
	mm	inch	
15-50	1.4 X 1.2	0.06 X 0.05	225

Dimension

Size	mm	15	20	25	32	40	50
	Inch	1/2	3/4	1	1-1/4	1-1/2	2
L		58	70	88	96	107	126
H		33	41	49	56	62	80