

CLASS 150

Bronze Vertical Lift Check Valve (Threaded)

Fig.5407

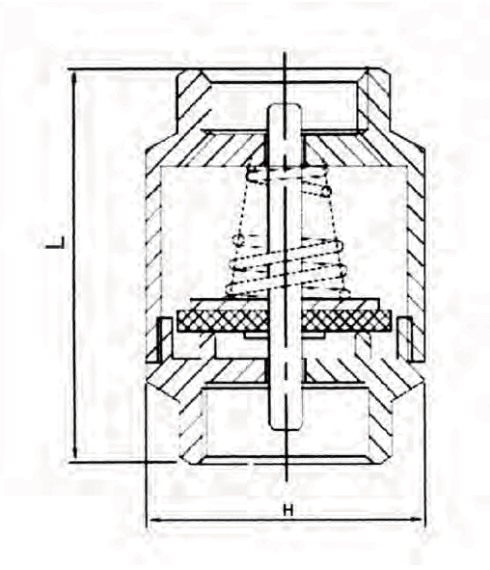


Specification

MSS SP-80
 Vertical Lift In-Line Type
 Metal Disc NBR Seat
 Threaded to BS 21 (ISO7) / ASME B1.20.1
 Size Range: 15mm(1/2")~50mm(2")

Pressure Ratings

Working Pressure	300 psi (20.7 bar) WOG Non-Shock 150 psi (10.3 bar) Saturated Steam
Testing Pressure	Shell: 450 psi (31 bar) Hydrostatic Seat: 330 psi (22.7bar) Hydrostatic 80 psi (5.5 bar) Air
Suitable Media	Water, Oil, Gas



Material List

Part Name	Material	ASTM	BS EN
Body	Bronze (Gunmetal)	B62 C83600	1982 CC491K
Cap	Bronze (Gunmetal)	B62 C83600	1982 CC491K
Disc	Bronze (Gunmetal)	B62 C83600	1982 CC491K
Spring	Stainless Steel 304	A313 304	3111 304S31
Seat	NBR		

Dimension

Size	mm	15	20	25	32	40	50
	Inch	1/2	3/4	1	1-1/4	1-1/2	2
L		46	52	56	68.5	70	81
H		33.5	41	45.5	56	63.5	81