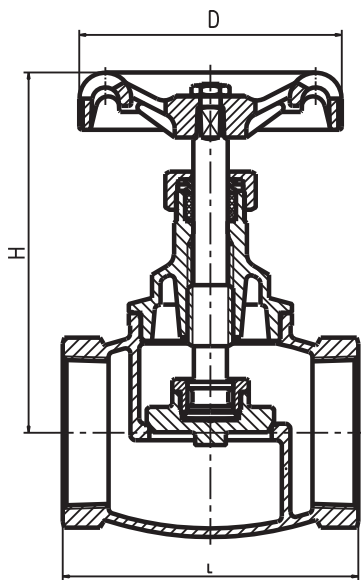


CLASS 150

Bronze Globe Valve (Threaded)

Fig. 6352



Specification

MSS SP-80
 Screwed-In Bonnet • Swivel Disc
 Rising Stem • Asbestos Free
 Threaded to BS 21 (ISO7) / ASME B1.20.1
 Size Range: 15mm(1/2")~50mm(2")

Pressure Ratings

Working Pressure	300 psi (20.7 bar) WOG Non-Shock 150 psi (10.3 bar) Saturated Steam
Testing Pressure	Shell: 450 psi (31 bar) Hydrostatic Seat: 330 psi (22.7bar) Hydrostatic 80 psi (5.5 bar) Air
Suitable Media	Water, Oil, Gas

Material List

Part Name	Material	ASTM	BS EN
Body	Bronze (Gunmetal)	B62 C83600	1982 CC491K
Bonnet	Bronze (Gunmetal)	B62 C83600	1982 CC491K
Disc	Bronze (Gunmetal)	B62 C83600	1982 CC491K
Stem	Brass Rod	B453 C35330	12165 CW602N
Packing	PTFE		
Packing Nut	Brass Rod	B124 C37700	12165 CW617N
Gland	Brass Rod	B124 C37700	12165 CW617N
Handwheel	Aluminium		

Dimension

Size	mm	15	20	25	32	40	50
	Inch	1/2	3/4	1	1-1/4	1-1/2	2
L		52	63	76	84	98	116
H		70	82	92	108	120	140
D		60	65	70	78	92	103