

**TYPE 600**

Bronze Ball Valve (Threaded)

Fig. 1251

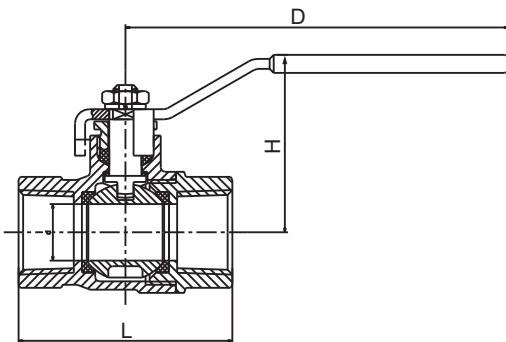


**Specification**

MSS SP-110.  
 Screwed Body Cap • Full Bore  
 Blow-out Proof Stem • PTFE Seat  
 Threaded to BS 21 (ISO7) / ASME B1.20.1  
 Size Range: 8mm(1/4")~100mm(4")

**Pressure Ratings**

Working Pressure	600 psi (41.3 bar) WOG Non-Shock 150 psi (10.3 bar) Saturated Steam
Testing Pressure	Shell: 900 psi (62 bar) Hydrostatic Seat: 660 psi (45.5 bar) Hydrostatic 80 psi (5.5 bar) Air
Suitable Media	Water, Oil, Gas



**Material List**

Part Name	Material	ASTM	BS EN
Body	Bronze (Gunmetal)	B62 C83600	1982 CC491K
Cap	Bronze (Gunmetal)	B62 C83600	1982 CC491K
Ball	Brass+Chrome Plated	B124 C37700	12165 CW617N
Seat	PTFE		
Stem	Brass	B453 C35330	12165 CW602N
O-Ring	NBR		
Gland	Brass	B124 C37700	12165 CW617N
Handle	Steel (Chrome Plated)		

**Dimension**

Size	mm	8	10	15	20	25	32	40	50	65	80	100
	Inch	1/4	3/8	1/2	3/4	1	1-1/4	1-1/2	2	2-1/2	3	4
L		46	46	53	61	71	85	92	114	134	152	182
H		39	39	44	51	55	65	70	83	118	132	150
D		81	81	95	110	110	140	140	160	220	270	280