

CLASS 125

Brass Vertical Lift Check Valve

Fig.5307

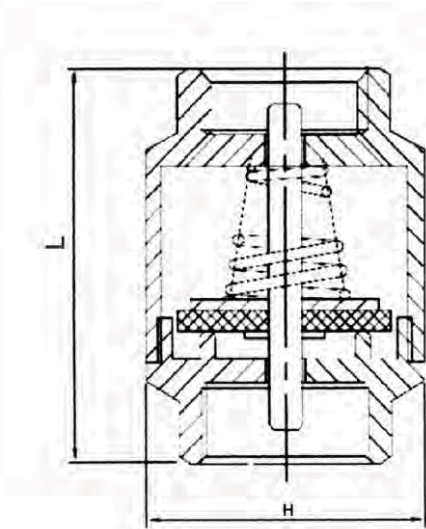


Specification

Vertical Lift In-Line Type
 Metal Disc NBR Seat
 Threaded to BS 21 (ISO7) / ASME B1.20.1
 Size Range: 15mm(1/2")~100mm(4")

Pressure Ratings

Working Pressure	232 psi (16 bar) WOG Non-Shock 100 psi (7 bar) Saturated Steam
Testing Pressure	Shell: 348 psi (24bar) Hydrostatic Seat: 255 psi (17.6 bar) Hydrostatic 80 psi (5.5 bar) Air
Suitable Media	Water, Oil, Gas.



Material List

Part Name	Material	ASTM	BS EN
Body	Brass	B124 C37700	12165 CW617N
Bonnet	Brass	B124 C37700	12165 CW617N
Disc	Brass	B124 C37700	12165 CW617N
Stem	Brass	B124 C37700	12165 CW617N
Rubber	Nitrile Rubber		
Spring	SS 304	A313 304	3111 304S31

Dimension

Size	mm	15	20	25	32	40	50	65	80	100
	Inch	1/2	3/4	1	1-1/4	1-1/2	2	2-1/2	3	4
L		46	52	56	68.5	70	81	99	102	112
H		33.5	41	45.5	56	83.5	81	97	112	142.5