

**CLASS 125**

Brass Swing Check Valve (Threaded)

Fig. 5401

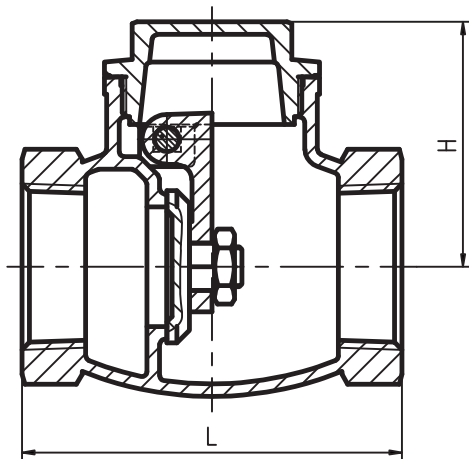
**Specification**

MSS SP-80  
 Screwed Cap • Swing Type Disc • Integral Seat  
 Threaded to BS 21 (ISO7) / ASME B1.20.1  
 Size Range: 15mm(1/2")~100mm(4")



**Pressure Ratings**

Working Pressure	232 psi (16 bar) WOG Non-Shock 100 psi (7 bar) Saturated Stem
Testing Pressure	Shell: 348 psi (24bar) Hydrostatic Seat: 255 psi (17.6 bar) Hydrostatic 80 psi (5.5 bar) Air



**Material List**

Part Name	Material	ASTM	BS EN
Body	Bronze (Gunmetal)	B124 C37700	12165 CW617N
Cap	Bronze (Gunmetal)	B124 C37700	12165 CW617N
Disc	Brass	B124 C37700	12165 CW617N
Hinge Pin	Brass Rod	B124 C37700	12165 CW617N
Gasket	Non-Asbestos		

**Dimension**

Size	mm	15	20	25	32	40	50	65	80	100
	Inch	1/2	3/4	1	1-1/4	1-1/2	2	2-1/2	3	4
L		50	60	74	84	94	114	146	165	192
H		35	40	14	53	60	70	89	105	125