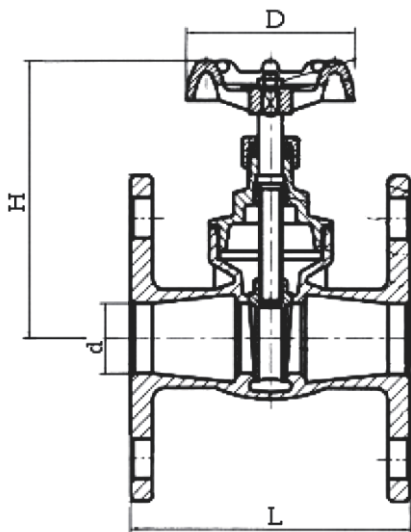


CLASS 125

Brass Gate Valve (Flanged)

Fig. 3104



Specification

Screwed-In bonnet • Solid Wedge Disc
 Non-Rising Stem • Integral Seat • Asbestos Free
 Threaded to BS 21 (ISO7) / ASME B1.20.1
 End Connection Flanged BS4504
 Size Range: 25mm(1")~100mm(4")

Pressure Ratings

Working Pressure	232 psi (16 bar) WOG Non-Shock 100 psi (7 bar) Saturated Stem
Testing Pressure	Shell: 348 psi (24bar) Hydrostatic Seat: 255 psi (17.6 bar) Hydrostatic 80 psi (5.5 bar) Air
Suitable Media	Water, Oil, Gas.

Material List

Part Name	Material	ASTM	BS EN
Body	Brass	B 124 C37700	12165 CW617N
Bonnet	Brass	B 124 C37700	12165 CW617N
Disc	Brass	B 124 C37700	12165 CW617N
Stem	Brass	B 124 C37700	12165 CW617N
Packing Nut	Brass	B 124 C37700	12165 CW617N
Packing	PTFE		
Stem Bush	Brass	B 124 C37700	12165 CW617N
Handwheel	Cast Iron		

Dimension

Size	mm	25	32	40	50	65	80	100
	Inch	1	1-1/4	1-1/2	2	2-1/2	3	4
d		25	32	38	45	56	68	90
L		88	94	106	117	132	150	174
H		95	110	124	138	170	198	242
D		60	72	80	110	130	178	200