

TYPE 600

Brass Ball Valve (Threaded)

Fig. 1201

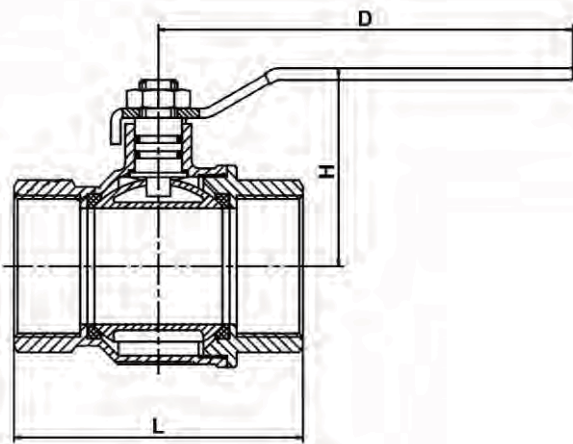


Specification

Screwed Body Cap • Full Bore
 Blow-out Proof Stem • PTFE Seat
 Threaded to BS 21 (ISO7) / ASME B1.20.1
 Size Range: 15mm(1/2")~50mm(2")

Pressure Ratings

Working Pressure	600 psi (41.3 bar) WOG Non-Shock 150 psi (10.3 bar) Saturated Steam
Testing Pressure	Shell: 900 psi (62 bar) Hydrostatic Seat: 660 psi (45.5 bar) Hydrostatic 80 psi (5.5 bar) Air



Material List

Part Name	Material	ASTM	BS EN
Body	Brass	B124 C37700	12165 CW617N
Cap	Brass	B124 C37700	12165 CW617N
Ball	Brass	B124 C37700	12165 CW617N
Seat	PTFE		
Stem	Brass Rod	B124 C37700	12165 CW617N
O-Ring	NBR		
Handle	Steel	A709 36	

Dimension

Size	mm	15	20	25	32	40	50
	Inch	1/2	3/4	1	1-1/4	1-1/2	2
L		53	57	72	79	89	105
H		46	51	56	64	68	81
D		95	110	110	140	140	160