



Clevis Hanger Light Duty for cPVC Pipe

Features

- Recommended for the suspension of stationary non-insulated pipe lines
- Also commonly used for the suspension of insulated pipe lines
- Flared edges help prevent sharp surfaces from coming into contact with the pipe (1/2" to 8" pipe sizes)
- Clevis bottom pivots to allow pipe to be fed from either direction

Material

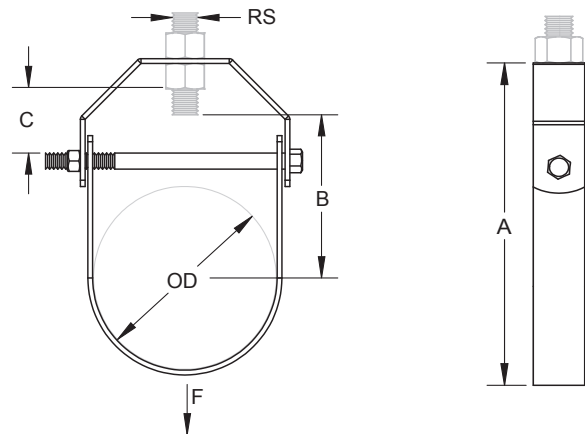
Steel

Finish

Electrogalvanized, Pregalvanized

Dimensions

DN	Size		Rod RS	A	B	C	Static Load F	Ordering Codes
	OD	Inch						
25	33.7	1"	M10	71	35	9	1.100 N	RDC179400
32	42.2	1 1/4"	M10	80	40	9	1.100 N	RDC179401
40	48.3	1 1/2"	M10	94	53	17	1.100 N	RDC179402
50	60.3	2"	M10	110	63	22	1.100 N	RDC179403
65	76.0	2 1/2"	M12	134	78	25	1.550 N	RDC179404
80	88.9	3"	M12	154	90	29	1.550 N	RDC179405
100	114.3	4"	M16	189	111	35	2.200 N	RDC179406
125	139.7	5"	M16	231	130	41	2.670 N	RDC179407
150	165.1	6"	M20	268	153	48	3.550 N	RDC179408
200	219.1	8"	M20	340	193	62	5.300 N	RDC179409



Manufactured by nvent Caddy who hold cULus Listed

DS: 9.26
Issue A
05/07/2019
© 2019 Rapidrop

Rapidrop Global Ltd
T: +44 (0) 1733 847 510 F: +44 (0) 1733 553 958
e: rapidrop@rapidrop.com
w: www.rapidrop.com