



Data Sheet 9.25

Issue A



Clevis Hanger for cPVC Pipe

Features

- Recommended for the suspension of stationary non-insulated pipe lines
- Flared edges help prevent sharp surfaces from coming into contact with the pipe (1/2" to 2" pipe sizes)
- Clevis bottom pivots to allow pipe to be fed from either direction

Material

Steel

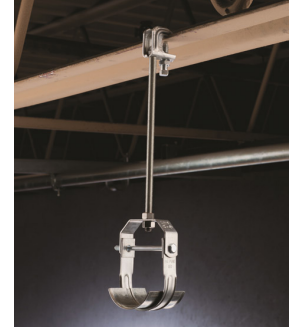
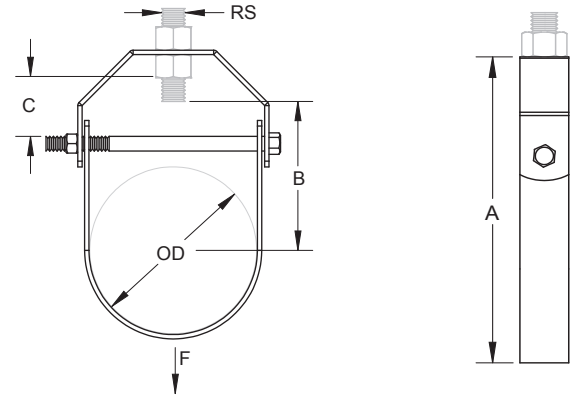
Finish

Electrogalvanized, Pregalvanized



Dimensions

DN	Size		Rod Size RS	A	B	C	Static Load F	Ordering Codes
	OD	Inch						
*15	21.3	1/2"	M10	59	29	9	2.700 N	RDC179398
20	26.9	3/4"	M10	64	32	9	2.700 N	RDC179399
25	33.7	1"	M10	71	35	9	2.700 N	RDC179420
32	42.2	1 1/4"	M10	80	40	9	2.700 N	RDC179421
40	48.3	1 1/2"	M10	94	53	17	2.700 N	RDC179422
50	60.3	2"	M10	110	63	22	2.700 N	RDC179423
65	76.0	2 1/2"	M12	134	78	25	5.000 N	RDC179424
80	89.0	3"	M12	154	90	29	5.000 N	RDC179425
90	101.6	3 1/2"	M12	172	101	34	5.000 N	RDC179521
100	114.0	4"	M16	189	111	35	5.000 N	RDC179426
125	140.0	5"	M16	231	130	41	6.400 N	RDC179427
150	165.0	6"	M20	268	153	48	8.600 N	RDC179428
200	219.0	8"	M20	356	204	80	8.900 N	RDC179429
**250	273.0	10"	M20	419	230	66	16.000 N	RDC179430
**300	324.0	12"	M20	473	258	78	17.000 N	RDC179431
**350	356.0	14"	M24	552	311	111.4	18.700 N	RDC179432
**400	406.0	16"	M24	609	342.8	117.8	20.500 N	RDC179433
**450	457.0	18"	M28	680	380.6	130.8	21.400 N	RDC179434
**500	508.0	20"	M32	762	432.3	162.8	21.400 N	RDC179435
**600	610.0	24"	M32	867	472.9	144.3	21.400 N	RDC179436



* Not FM Approved

** Not FM, cULus Approved

Manufactured by nvent Caddy who hold FM Approval and cULus Listed

DS: 9.25
Issue A
05/07/2019
© 2019 Rapidrop

Rapidrop Global Ltd
T: +44 (0) 1733 847 510 F: +44 (0) 1733 553 958
e: rapidrop@rapidrop.com
w: www.rapidrop.com