



Rapidrop® Flexible Sprinkler Connections Inlets, Outlets & Support Brackets



Dimensions

	Inlet Options			Outlet Options			
A	R 3/4 (3/4" BSPT)	R1 (1" BSPT)* or 1" NPT	R1.1/4 (1 1/4" BSPT)	Rc 1/2 (1/2" BSPT) or 1/2" NPT	Rc 1/2 (1/2" BSPT) 1/2" NPT* or Rc 3/4 (3/4" BSPT) 3/4" NPT	Rc 1/2 (1/2" BSPT) or 1/2" NPT	Rc 1/2 (1/2" BSPT) or 1/2" NPT
B mm	55	55	78	8	110	170	170
	* Standard Thread			Use with A2 Bracket			

Material Specifications

All inlets and outlets are made from carbon steel, zinc plated.



Dimensions

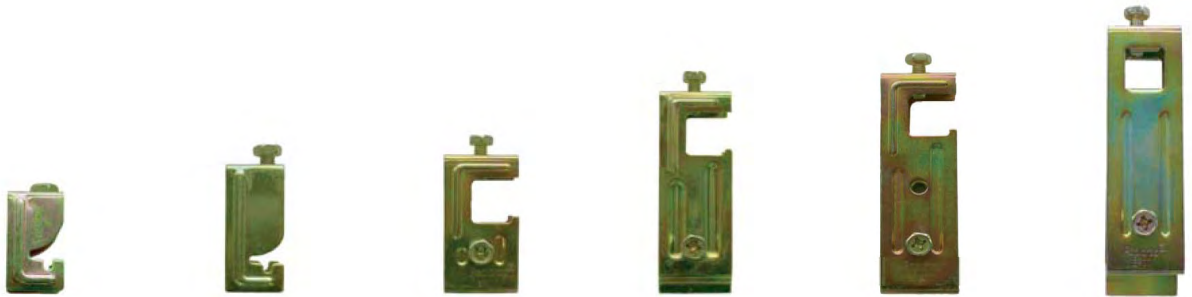
	Outlet Elbows	
A	Rc 1/2 (1/2" BSPT) 1/2" NPT* or Rc 3/4 (3/4" BSPT) 3/4" NPT	Rc 1/2 (1/2" BSPT) 1/2" NPT* or Rc 3/4 (3/4" BSPT) 3/4" NPT
B mm	110	137
C mm	65	100
	Use with A2 Bracket	Use with A2A Bracket



Rapidrop® Flexible Sprinkler Connections Inlets, Outlets & Support Brackets

Dimensions

	A2	A2A	ARF01
A mm	65	62.5	74
B mm	50	50	50



Dimensions

	B1	B9	B11	B4-1E	B7	B900
A	38	53	60	90	99	107
B mm	20	20	30	30	30	30
	Plasterboard	Extended Plasterboard	Lift Out Ceiling Tile Pendent Sprinkler	Lift Out Ceiling Tile (FM Approved)	Lift Out Ceiling Tile Concealed Sprinkler	Plasterboard Ceiling Concealed Sprinkler

International patent pending.

Material Specifications

All brackets are made from mild steel, zinc plated.



Rapidrop® Flexible Sprinkler Connections Inlets, Outlets & Support Brackets

Square Bar

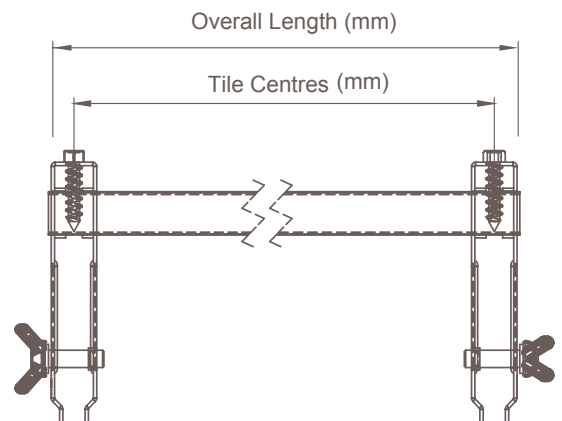
Length (mm)	640	800	1000	1240	1600
-------------	-----	-----	------	------	------

Material Specifications

Square Bars are made from mild steel, zinc plated.

Bracket Assembly

	B60/600	B100/600
A mm	60	100
B mm	30	30
Sprinkler type	Pendent	Concealed
Tile Centres mm*	600	600
Overall Length mm	618	618



International patent pending

*Optional 610mm, 625mm