

Flexible Sprinkler Connections

Model: SP, SPN & SPW

1. Install the Inlet Nipple (R1 or R1.1/4 pipe thread end) in the range pipe outlet using the normal sealing and tightening methods for connecting pipe threads for leak proof joints. NB. For SPW this nipple is permanently fixed to the flexible hose and care must be taken not to twist the hose or use it as a lever when tightening in the nipple.
2. For SP only - Check the '□' Packing is in place flush against the shoulder on one end of the flexible and connect the Reducer (M33 x 1.5 thread end) to that end and tighten the nut. NB. For SPN and SPW the reducer is permanently fixed to the flexible hose.
3. For SP and SPN - Check that the '□' Packing is in place flush against the shoulder on the other end of the flexible and connect that end to the open end of the inlet nipple on the range pipe and tighten the nut. NB. For SPW this step does not apply.
4. Bend the flexible by hand (Min. Bend Radius 75mm – See Fig. 5) to take up the desired route for the flexible and position the reducer for the sprinkler location. (eg. Centre of Tile) When bending leave 60mm straight (no bend) from the end fitting, ensure there are no kinks and use the radius gauge to ensure that no bends are tighter than the minimum bend radius. Where required by the Authority Having Jurisdiction (AHJ) a Rapidrop® Minimum Radius Indicator (MRI) (see Fig. 6 & Fig. 7) must be fitted to each and all bends which exceed 45 degrees, if the bend exceeds 90 degrees two MRIs are to be used adjacent.

For LPCB installations the LPCB guidelines for the installation of all flexibles must be followed.

5. The reducer (Outlet) must be located securely to prevent movement relative to the ceiling resulting from the system being pressurized, from sprinkler operation and from discharge of water if the sprinkler operates as the result of a fire. The fixing must also resist torsional forces which result from a sprinkler being installed in the reducer.

The Rapidrop® Reducer is easily located centre of tile in 1,200mm x 600mm (See Fig.2) and 600mm x 600mm tiles (See Fig.3) but must be fixed to the 1,200mm long Cross Tees of the ceiling suspension system using the Rapidrop® support bar and brackets supplied. (NB. Rapidrop® must not be bracketed to reduced height or lightweight cross tees.)

If there are no available, suitable 1,200mm long cross tees, Rapidrop® must be fixed to the Main Runners of the ceiling suspension system. As the Main Runners are spaced at 1,200mm this method requires a longer support bar which is available. (See Fig. 4)

Various types of Bracket B (See Fig. 8 & Fig. 9) are available to suit the ceiling suspension Cross Tees and Main Runners and



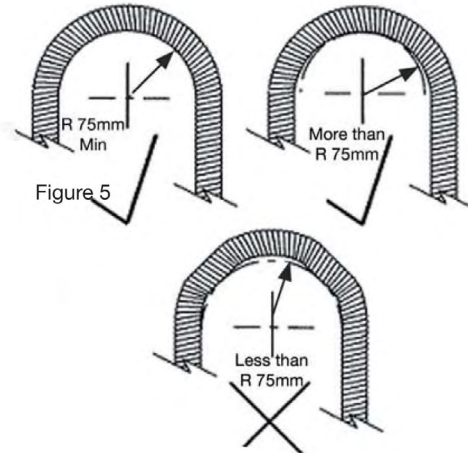
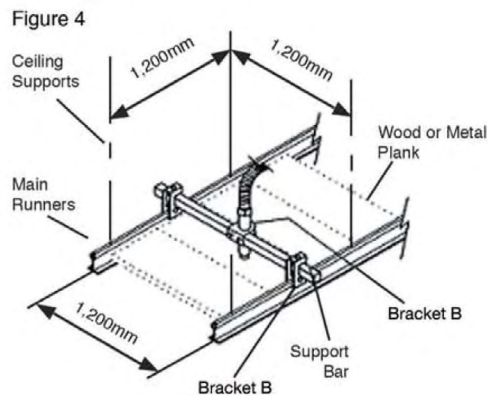
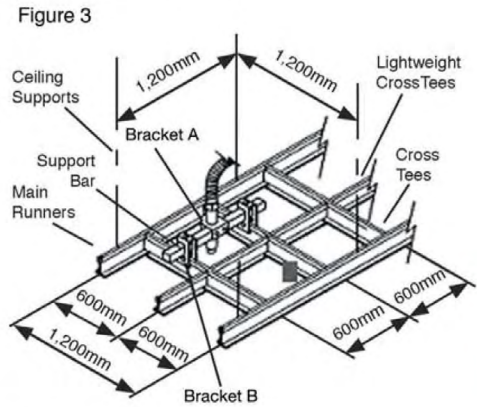
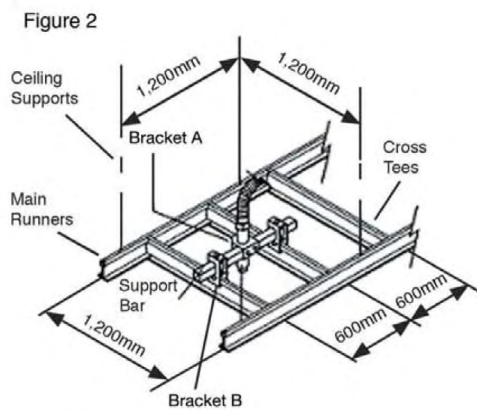
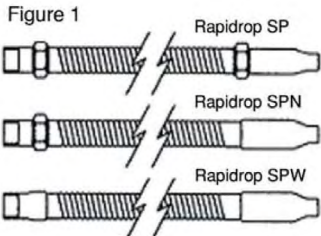
with variable heights to enable both normal sprinklers with escutcheons or concealed sprinklers to be installed. Do not over tighten the bracket setscrews.

Rapidrops® less than 1.6 metre long do not require any intermediate support between the range pipe connection and the brackets to the ceiling suspension system. Rapidrops® longer than 1.6m up to 3.2m long must have one intermediate support direct from the building structure. This support must be located not more than 1.6m (measured along the route of the flexible) from the sprinkler connection. As the Rapidrop® flexible is stainless steel, insulation between the support hanger and the corrugated flexible must be provided to prevent direct metal to metal contact.

6. Install the sprinkler and pressure test in the normal way. Max. Working Pressure 16 bar. After filling with water for pressure test please keep the sprinkler system always filled with water. Do not leave the system drained for long periods.

Flexible Sprinkler Connections

Model: SP, SPN & SPW



Minimum Radius Indicator
 UK Patent No GB2420413

