



Water Mist Nozzle  
Model: 123



Product Specifications

Nozzle type:	SE60W
Extinguishing liquid:	Water 100%
Installation:	Pendent
K-factor:	16,00
RTI-value:	19,96
Droplet size Dv0,9:	470 µm
Flow at 5,5 bar:	37,52 lpm

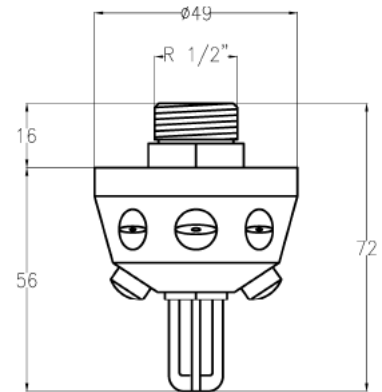
Product numbers

SE60W 68°C:	12302
SE60W 93°C:	12303
SE60W 141°C:	12304



OH1, Insta 900, Annex O

Test standard:	VdS 2344
Spacing:	1-5 m room height: 3,5 m
Spacing:	0,3 - 0,8 m space height: 4,0 m
Spacing to wall:	0,5 x spacing
Nozzle design pressure:	5,5 bar
Nozzle maximum pressure:	12,0 bar



ECO, Insta 900, Annex O

Test standard:	UL2167 Res
Spacing:	under 2,4 m room height: 3,0 m
Spacing to wall:	0,5 x spacing
Nozzle design pressure:	2,0 bar
Nozzle maximum pressure:	10,0 bar

Manufactured by Firecon Group Oy who hold the VdS Approval