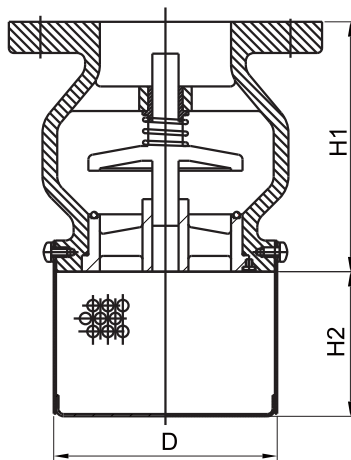


CLASS 125/ CLASS 250/  
PN16/PN25/JIS 10K/JIS 16K

Foot Valve

Fig. 1120



**Pressure Temperature Ratings**

Working pressure	16bar/25bar
Testing Pressure	Shell:24bar/37.5bar Seal:17.6bar/27.5bar
Working Temperature	-20°C to 110°C EPDM -10°C to 80°C NBR
Suitable Media	Water,Oil&Gas

**Material Specification**

Part	Material	ASTM Spec.
Body	Cast Iron	A126 Class B
	Ductile Iron	A536 65-45-12
Disc	Stainless Steel	A351 CF8
	Bronze	B62 C83600
	Ductile Iron	A536 65-45-12
Seat	Stainless Steel	A351 CF8
	Bronze	B62 C83600
Seat Ring	EPDM / NBR	Commercial
Bushing	Bronze	B62 C83600
Spring	Stainless Steel	AISI 304
Screen	Stainless Steel	AISI 304

**Note :**  
DI Body For PN16&Class 250

**Dimensions**

DN	mm	50	65	80	100	125	150	200	250	300	350	400	450	500	600
	inch	2	2-1/2	3	4	5	6	8	10	12	14	16	18	20	24
H1		133	140	152	185	216	229	257	393	362	400	448	476	524	610
H2		68	93	108	138	163	189	208	238	260	270	290	315	340	365
D		114	130	144	177	203	237	290	330	383	470	516	570	630	740