

ULCF3000 range - UL intelligent addressable control panels



ULCF3000RM (wall mount red metal)



ULCF3000 (wall mount graphite)

The Eaton ULCF3000 is a high specification intelligent addressable, wall or rack mounted, UL Listed control panel available in various loop configurations. It combines sophisticated functionality with simple operation and aesthetically pleasing design.

The control panel has the ability to support complex cause and effect programming (via site installer) and a wide range of user controllable functions that make the panel ideal for a diverse range of projects from industrial applications through to large multi site commercial developments.

The ULCF3000 uses soft addressing to minimise installation time and remove the potential for error associated with manual addressing. It can operate as a stand alone panel or as part of a networked system, and has powerful programming options that allow configurable control over whether messages from specific panels are transmitted around the network or remain local.

Features and benefits

- Large versatile touch-screen user interface
- 2 or 4 Class A Style 7 SLC loops
- Event history buffer (9,999 events) with date/time stamp
- 4 Notification appliance circuit (NAC's) outputs
- Dedicated alarm, trouble, AC trouble relays
- Integral short circuit isolators
- Up to 200 addresses per loop
- Full network capability up to 126 panels
- Supports a comprehensive range of soft addressing modules and devices for greater flexibility in design
- Menu driven graphical user interface for ease of operation
- Reduced commissioning time through soft addressing and auto learn functions
- Programming and trouble shooting time minimised by using a range of features such as auto config, walk test, system details menus



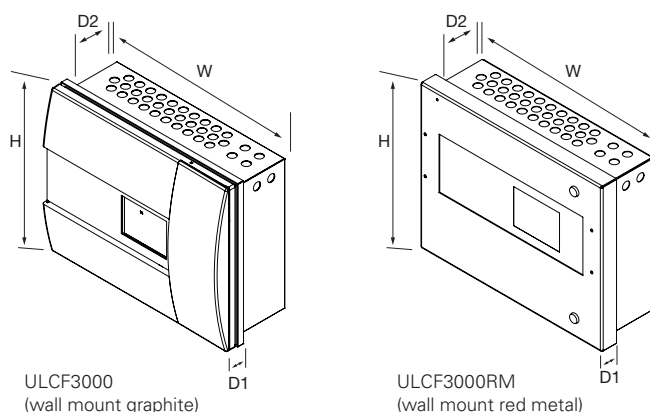
Specifier's guide

3.2 Control panels

Technical specification

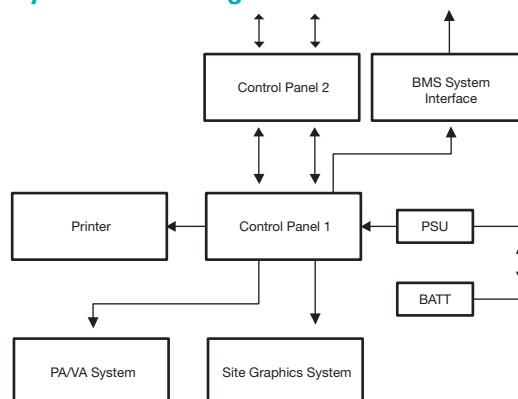
Code	ULCF3000 / ULCF3000RM
Description	UL intelligent addressable control panel
Standards	UL864 9th edition
Primary operating supply	120V ac / 240V ac, 60Hz, 2.0A supervised
Secondary operating supply	
Battery voltage	24V dc
Battery charge current	1.0A (max)
Battery derating factor	0.1
Battery capacity supervised	12Ah (max)
Notification appliance circuits Class B, Style Y, Sounder Group 1, Sounder 1, Sounder Group 1, Sounder 2, Sounder Group 2	
Output voltage	24V dc
Output current	0.75A (max)
Line impedance	50Ω When powered by 240V ac, the maximum current of 3.0A is shared between these circuits When powered by 120V ac, the maximum current of 2.25A is shared between these circuits Circuits are supervised, power limited and regulated.
Notification appliance circuits Class B, Style Y, SYNC MODULE. NAC1, NAC2	
Output voltage	24V dc
Output current	0.5A (max)
Line impedance	50Ω (max) The maximum current of 0.5A is shared between these circuits Circuits are supervised, power limited and regulated.
Alarm, trouble contacts. Relay expansion	
Unity power factor	30V dc For connection to power limited sources only
Aux relay (AC Trouble) contacts	
Unity power factor	30V dc, 1A For connection to power limited sources only
Signaling line circuit Style [7] Class [A] – (Addressable Loop)	
Rated voltage	24V dc
Maximum current	500mA
Line impedance	50Ω (max) Supervised, power limited
Network SLC	
Voltage	5V dc
Current	100mA (max)
Line impedance	50Ω (max) Power limited Limited to same enclosure installations
Physical	
IP Rating	IP30
Compatibility	
Suitable for use with	Eaton UL fire systems

Dimensions



Description	H (mm)	W (mm)	D1 (mm)	D2 (mm)
ULCF3000	397	497	75	130
ULCF3000RM	398	505	48	118

System block diagram



Catalogue numbers

Description	Code
2 loop panel	ULCF30002G
4 loop panel	ULCF30004G
2 loop panel, integral printer	ULCF30002GP
4 loop panel, integral printer	ULCF30004GP
2 loop panel, network card	ULCF30002GNC
4 loop panel, network card	ULCF30004GNC
2 loop panel, integral printer, network card	ULCF30002GPNC
4 loop panel, integral printer, network card	ULCF30004GPNC
2 loop panel, red metal box	ULCF30002GRM
4 loop panel, red metal box	ULCF30004GRM
2 loop panel, integral printer, red metal box	ULCF30002GPRM
4 loop panel, integral printer, red metal box	ULCF30004GPRM
2 loop panel, network card, red metal box	ULCF30002GNCRM
4 loop panel, network card, red metal box	ULCF30004GNCRM
2 loop panel, integral printer, network card, red metal box	ULCF30002GPNCRM
4 loop panel, integral printer, network card, red metal box	ULCF30004GPNCRM
Rack mounted 2 loop panel	ULR3000L2
Rack mounted 4 loop panel	ULR3000L4
Rack mounted 2 loop panel c/w network card	ULR3000L2NC
Rack mounted 4 loop panel c/w network card	ULR3000L4NC
Loop connected repeater panel	ULCF3000PRG
Touchscreen network repeater panel	ULCTPR3000